

SOLAR 300 95° 25 IP54 830

Item code	11.7600.4310.25
-----------	-----------------

Product type	Outdoor Lighting
--------------	------------------

Category	Bollards
----------	----------

Family	Solar
--------	-------

Subfamily	Solar
-----------	-------

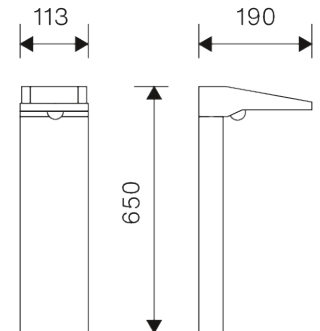
Dimensions

Product dimensions (mm)	113 x 650 x 190
-------------------------	-----------------

Net weight (g)	2000
----------------	------

Scheme

Scheme



Product

Real power (W)	1
Real luminous flux (Lm)	96
Luminous efficiency (Lm/W)	96
Beam angle (°)	95
Life time (h)	50000 (L70B10)
IP	IP54
Electrical class insulation	Class 3
Operating temperature	from -20°C to 35°C
Colour (RAL)	Anthracite(7016)
Energy efficiency class	A+
Diffuser	PC opal diffuser

Control gear

Flicker Free	Flicker Free
--------------	--------------

Light source

Light source	Led
Type of LED	Mid-Power
Nominal power (W)	2
Nominal luminous flux (Lm)	300
Colour temperature (K)	3000
Colour consistency (SDCM)	3
CRI	80

Photometry

Photometry

190mm x 113mm



Semiplanos C

180.0 — 0.0

270.0 — 90.0

Fija 83 29 lm
Máximo 596 39 cd/klm
Eje plano C=0 (0) (0) 150
Rendimiento 99.90%
Fecha 22-03-2021
Sim. en los planos 0-180

