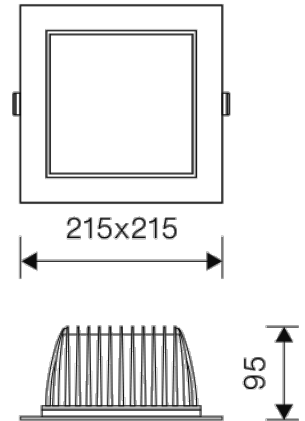


#### Dimensions

<b>Product dimensions (mm)</b>	215 x 215 x 95
<b>Drilling hole (mm)</b>	195 x 195

#### Scheme

#### Scheme



## BERYL SQ 4500 80° E 33 IP54/20 840

### DESCRIPTION

Luxiona square fix downlight from the TROLL family Beryl SQ. Downlight to be used as general indoor lighting for offices, hospitals commercial areas or residential & contract spaces. Downlight designed for ceiling recessed installation. Luminaire body built in die-cast aluminium with matt polycarbonate frontal diffuser with finish in White. Luminaire has a degree of isolation vs. environment of IP54/20. Luminaire adds in a polycarbonate opal diffuser plus a high purity aluminium reflector with a beam angle of 80°. Luminaire adds in a 30 W LED source with colour temperature of 4000K, Colour reproduction higher than 80% and a chromatic dispersion lower than 3 SMDC. Fixture has n output flux of 4280 Lm, with an efficiency of 125,9 Lm/W and a total consumption of 34 W. The average life for the luminaire is (h) 50000 [L70B10]. Luminaire built-in an Electronic Control Gear fed at 220...240V 50/60Hz.

<b>Item code</b>	11.2046.4328.33
<b>Product type</b>	Indoor Lighting
<b>Category</b>	Recessed Downlights
<b>Family</b>	Beryl
<b>Subfamily</b>	Beryl SQ
<b>Materials</b>	Luminaire body built in die-cast aluminium with matt polycarbonate frontal diffuser with finish in White.
<b>Optical system</b>	Luminaire adds in a polycarbonate opal diffuser plus a high purity aluminium reflector with a beam angle of 80°.
<b>Installation instructions</b>	Downlight designed for ceiling recessed installation.

### Product

<b>Real power (W)</b>	34
<b>Real luminous flux (Lm)</b>	4280
<b>Luminous efficiency (Lm/W)</b>	125,9
<b>Beam angle (°)</b>	80
<b>Life time (h)</b>	50000 (L70B10)
<b>IP</b>	IP54/20
<b>IK</b>	IK08
<b>Electrical class insulation</b>	Class 2
<b>Operating temperature</b>	from -20°C to 35°C
<b>Electrical feeding</b>	220..240V, 50/60Hz
<b>Colour (RAL)</b>	White(9010)
<b>Energy efficiency class</b>	A++

### Control gear

<b>Control gear included</b>	Yes
<b>Control gear</b>	Electronic Control Gear
<b>Power Factor</b>	0,98
<b>Flicker Free</b>	Flicker Free

### Light source

<b>Light source included</b>	
<b>Light source</b>	Led
<b>Type of LED</b>	CoB
<b>Nominal power (W)</b>	30
<b>Nominal luminous flux (Lm)</b>	4500
<b>Colour temperature (K)</b>	4000

Colour consistency (SDCM) 3

CRI 80

**Photometry**

**Photometry**

215mm x 215mm



Semiplanos C

180 0 — 0.0

Flujo 4280.00 lm  
Máximo 850.20 cd/klm  
Posición C=0°0'0" Cs=17°50'  
Refracción: 100.00%

Fecha: 10-11-2020  
Fotométrico

