

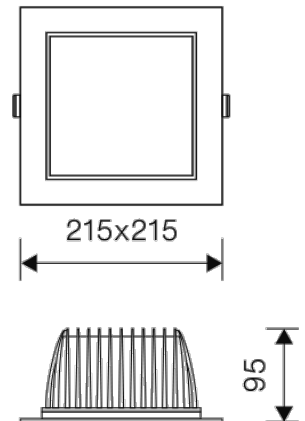


#### Dimensions

Product dimensions (mm)	215 x 215 x 95
Drilling hole (mm)	195 x 195

#### Scheme

#### Scheme



### BERYL SQ 4500 80° EDD 33 IP54/20 840

#### DESCRIPTION

Luxiona square fix downlight from the TROLL family Beryl SQ. Downlight to be used as general indoor lighting for offices, hospitals commercial areas or residential & contract spaces. Downlight designed for ceiling recessed installation. Luminaire body built in die-cast aluminium with matt polycarbonate frontal diffuser with finish in White. Luminaire has a degree of isolation vs. environment of IP54/20. Luminaire adds in a polycarbonate opal diffuser plus a high purity aluminium reflector with a beam angle of 80°. Luminaire adds in a 30 W LED source with colour temperature of 4000K, Colour reproduction higher than 80% and a chromatic dispersion lower than 3 SMDC. Fixture has n output flux of 4280 Lm, with an efficiency of 125,9 Lm/W and a total consumption of 34 W. The average life for the luminaire is (h) 50000 [L70B10]. Luminaire built-in an DALI Dimmable Electronic Control Gear fed at 220...240V 50/60Hz.

Item code	11.2046.4321.33
Product type	Indoor Lighting
Category	Recessed Downlights
Family	Beryl
Subfamily	Beryl SQ
Materials	Luminaire body built in die-cast aluminium with matt polycarbonate frontal diffuser with finish in White.
Optical system	Luminaire adds in a polycarbonate opal diffuser plus a high purity aluminium reflector with a beam angle of 80°.
Installation instructions	Downlight designed for ceiling recessed installation.

#### Product

Real power (W)	34
Real luminous flux (Lm)	4280
Luminous efficiency (Lm/W)	125,9
Beam angle (°)	80
Life time (h)	50000 (L70B10)
IP	IP54/20
IK	IK08
Electrical class insulation	Class 2
Operating temperature	from -20°C to 35°C
Electrical feeding	220..240V, 50/60Hz
Colour (RAL)	White(9010)
Energy efficiency class	A++

#### Control gear

Control gear included	Yes
Control gear	DALI Dimmable Electronic Control Gear
Power Factor	0,98
Flicker Free	Flicker Free

#### Light source

Light source included	
Light source	Led
Type of LED	CoB
Nominal power (W)	30
Nominal luminous flux (Lm)	4500

<b>Colour temperature (K)</b>	4000
<b>Colour consistency (SDCM)</b>	3
<b>CRI</b>	80

**Photometry**

**Photometry**

215mm x 215mm



Semiplanos C

180 0 — 0.0

Flujo 4200,00 lm  
 Máximo 90,29 cd/klm  
 Flujo por Candelado 0,45-12,50  
 Rendimiento: 100,00%  
 Fecha: 10-11-2020  
 Rotosimétrico

