

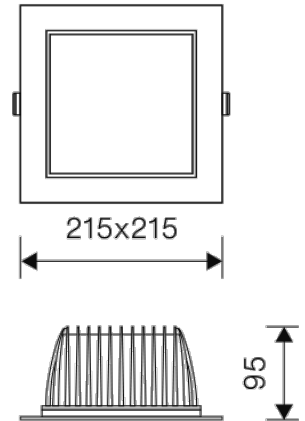


Dimensions

| | |
|-------------------------|----------------|
| Product dimensions (mm) | 215 x 215 x 95 |
| Drilling hole (mm) | 195 x 195 |

Scheme

Scheme



BERYL SQ 4950 80° EDD 33 IP54/20 830

DESCRIPTION

Luxiona square fix downlight from the TROLL family Beryl SQ. Downlight to be used as general indoor lighting for offices, hospitals commercial areas or residential & contract spaces. Downlight designed for ceiling recessed installation. Luminaire body built in die-cast aluminium with matt polycarbonate frontal diffuser with finish in White. Luminaire has a degree of isolation vs. environment of IP54/20. Luminaire adds in a polycarbonate opal diffuser plus a high purity aluminium reflector with a beam angle of 80°. Luminaire adds in a 38 W LED source with colour temperature of 3000K, Colour reproduction higher than 80% and a chromatic dispersion lower than 3 SMDC. Fixture has n output flux of 4540 Lm, with an efficiency of 113,5 Lm/W and a total consumption of 40 W. The average life for the luminaire is (h) 50000 [L70B10]. Luminaire built-in an DALI Dimmable Electronic Control Gear fed at 220...240V 50/60Hz.

| | |
|---------------------------|------------------------------------------------------------------------------------------------------------------|
| Item code | 11.2046.3421.33 |
| Product type | Indoor Lighting |
| Category | Recessed Downlights |
| Family | Beryl |
| Subfamily | Beryl SQ |
| Materials | Luminaire body built in die-cast aluminium with matt polycarbonate frontal diffuser with finish in White. |
| Optical system | Luminaire adds in a polycarbonate opal diffuser plus a high purity aluminium reflector with a beam angle of 80°. |
| Installation instructions | Downlight designed for ceiling recessed installation. |

Product

| | |
|-----------------------------|--------------------|
| Real power (W) | 40 |
| Real luminous flux (Lm) | 4540 |
| Luminous efficiency (Lm/W) | 113,5 |
| Beam angle (°) | 80 |
| Life time (h) | 50000 (L70B10) |
| IP | IP54/20 |
| IK | IK08 |
| Electrical class insulation | Class 2 |
| Operating temperature | from -20°C to 35°C |
| Electrical feeding | 220..240V, 50/60Hz |
| Colour (RAL) | White(9010) |
| Energy efficiency class | A+ |

Control gear

| | |
|-----------------------|---------------------------------------|
| Control gear included | Yes |
| Control gear | DALI Dimmable Electronic Control Gear |
| Power Factor | 0,98 |
| Flicker Free | Flicker Free |

Light source

| | |
|----------------------------|------|
| Light source included | |
| Light source | Led |
| Type of LED | CoB |
| Nominal power (W) | 38 |
| Nominal luminous flux (Lm) | 4950 |

| | |
|---------------------------|------|
| Colour temperature (K) | 3000 |
| Colour consistency (SDCM) | 3 |
| CRI | 80 |

Photometry

Photometry

215mm x 215mm



Semiplanos C

180.0 — 0.0

Flujo: 4540,06 lm
Índice de Rendimiento: 80,17 cd/klm
Potencia: 30,00 W
Rendimiento: 150,00%
Fecha: 10-11-2020
Rotosimétrico

