

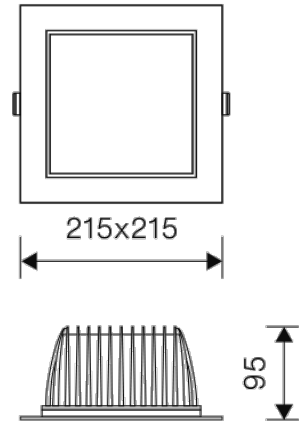


Dimensions

Product dimensions (mm)	215 x 215 x 95
Drilling hole (mm)	195 x 195

Scheme

Scheme



BERYL SQ 4150 80° E 33 IP54/20 830

DESCRIPTION

Luxiona square fix downlight from the TROLL family Beryl SQ. Downlight to be used as general indoor lighting for offices, hospitals commercial areas or residential & contract spaces. Downlight designed for ceiling recessed installation. Luminaire body built in die-cast aluminium with matt polycarbonate frontal diffuser with finish in White. Luminaire has a degree of isolation vs. environment of IP54/20. Luminaire adds in a polycarbonate opal diffuser plus a high purity aluminium reflector with a beam angle of 80°. Luminaire adds in a 30 W LED source with colour temperature of 3000K, Colour reproduction higher than 80% and a chromatic dispersion lower than 3 SMDC. Fixture has n output flux of 3964 Lm, with an efficiency of 116,6 Lm/W and a total consumption of 34 W. The average life for the luminaire is (h) 50000 [L70B10]. Luminaire built-in an Electronic Control Gear fed at 220...240V 50/60Hz.

Item code	11.2046.3328.33
Product type	Indoor Lighting
Category	Recessed Downlights
Family	Beryl
Subfamily	Beryl SQ
Materials	Luminaire body built in die-cast aluminium with matt polycarbonate frontal diffuser with finish in White.
Optical system	Luminaire adds in a polycarbonate opal diffuser plus a high purity aluminium reflector with a beam angle of 80°.
Installation instructions	Downlight designed for ceiling recessed installation.

Product

Real power (W)	34
Real luminous flux (Lm)	3964
Luminous efficiency (Lm/W)	116,6
Beam angle (°)	80
Life time (h)	50000 (L70B10)
IP	IP54/20
IK	IK08
Electrical class insulation	Class 2
Operating temperature	from -20°C to 35°C
Electrical feeding	220..240V, 50/60Hz
Colour (RAL)	White(9010)
Energy efficiency class	A+

Control gear

Control gear included	Yes
Control gear	Electronic Control Gear
Power Factor	0,98
Flicker Free	Flicker Free

Light source

Light source included	
Light source	Led
Type of LED	CoB
Nominal power (W)	30
Nominal luminous flux (Lm)	4150
Colour temperature (K)	3000

Colour consistency (SDCM) 3

CRI 80

Photometry

Photometry

215mm x 215mm



Semiplanos C

180 0 — 0.0

Flujo 3962 21 lm
Máximo 160.29 cd/klm
Posición C=0°0' Os=17°50'
Refracción: 100.00%
Fecha: 10-11-2020
Fotométrico

