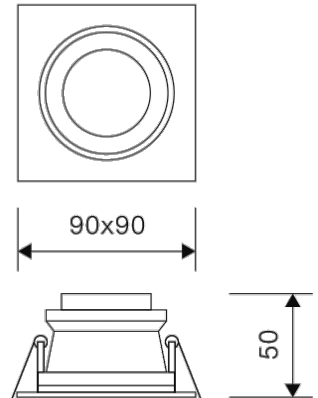




Dimensions

Product dimensions (mm)	90 x 90 x 50
Drilling hole (mm)	Ø75

Scheme

Scheme

VERSATILE PINHOLE ORIENTABLE SQ 63 GU10

Item code	11.1936.2003.63
Product type	Indoor Lighting
Category	Recessed Downlights
Family	Versatile
Subfamily	Versatile Pinhole

Product

Operating temperature	from °C to °C
Colour (RAL)	White(9003)

Control gear

Light source

Light source

Lamp holder	GU10
--------------------	------

Accessories

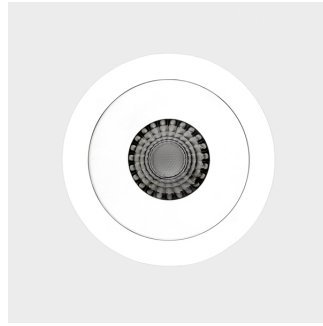
11.1936.0000.00	CONNECTOR SOCKET GU10
------------------------	-----------------------

Picture

11.1936.2101.63

VERSATILE ROUND
ACCESSORY CENTER PIN
GU10 WHITE

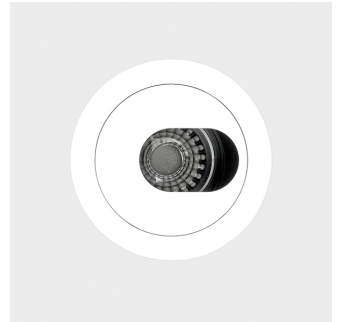
Picture



11.1936.2201.63

VERSATILE ROUND
ACCESSORY ELIPSE GU10
WHITE

Picture



11.1936.2301.63

VERSATILE ROUND
ACCESSORY HALF CERCLE
GU10 WHITE

Picture

