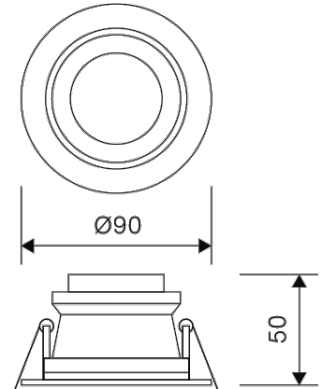


Dimensions

Product dimensions (mm)	ø90 x 50
Drilling hole (mm)	Ø75

Scheme

Scheme


**VERSATILE PINHOLE ORIENTABLE ROUND 63
GU10**

Item code	11.1936.2001.63
Product type	Indoor Lighting
Category	Recessed Downlights
Family	Versatile
Subfamily	Versatile Pinhole

Product

Operating temperature	from °C to °C
Colour (RAL)	White(9003)

Control gear

Light source

Light source

Lamp holder	GU10
--------------------	------

Accessories

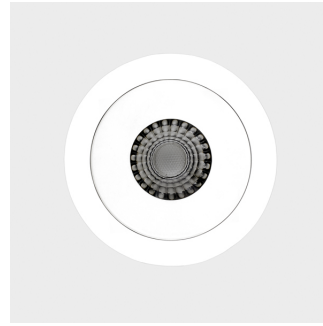
11.1936.0000.00	CONNECTOR SOCKET GU10
------------------------	-----------------------

Picture


11.1936.2101.63

VERSATILE ROUND
ACCESSORY CENTER PIN
GU10 WHITE

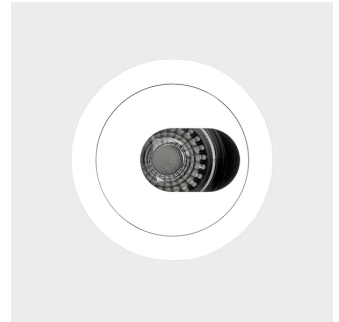
Picture



11.1936.2201.63

VERSATILE ROUND
ACCESSORY ELIPSE GU10
WHITE

Picture



11.1936.2301.63

VERSATILE ROUND
ACCESSORY HALF CERCLE
GU10 WHITE

Picture

