

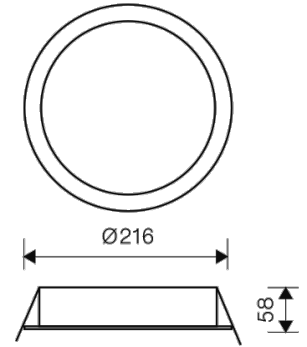


Dimensions

Product dimensions (mm)	Ø216 x 58
Net weight (g)	600
Drilling hole (mm)	Ø195

Scheme

Scheme



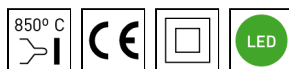
ECOLED 2200 PLX E 33 IP44/20 840

DESCRIPTION

Luxiona basic round fix downlight from the TROLL family Ecoled. Downlight to be used as general indoor lighting for offices, hospitals commercial areas or residential & contract spaces. Downlight designed for ceiling recessed installation. Luminaire body made of synthetic material with finish in White. Luminaire has a degree of isolation vs. environment of IP44/20. Luminaire built-in a polycarbonate opal diffuser with a beam angle of 110°. Luminaire adds in a 16 W LED source with colour temperature of 4000K, Colour reproduction higher than 80% and a chromatic dispersion lower than 3 SMDC. Fixture has n output flux of 1773 Lm, with an efficiency of 98,5 Lm/W and a total consumption of 18 W. The average life for the luminaire is (h) 25000 [L70B10]. Luminaire built-in an Electronic Control Gear fed at 220...240V 50/60Hz.

Item code	11.1525.1411.33
Product type	Indoor Lighting
Category	Recessed Downlights
Family	Ecoled
Subfamily	Ecoled
Materials	Luminaire body made of synthetic material with finish in White.
Optical system	Luminaire built-in a polycarbonate opal diffuser with a beam angle of 110°.
Installation instructions	Downlight designed for ceiling recessed installation.

Pictograms



Product

Real power (W)	18
Real luminous flux (Lm)	1773
Luminous efficiency (Lm/W)	98,5
Beam angle (°)	110
Life time (h)	25000 (L70B10)
IP	IP44/20
Electrical class insulation	Class 2
Operating temperature	from -20°C to 35°C
Electrical feeding	220..240V, 50/60Hz
Colour (RAL)	White(9010)
Energy efficiency class	A+
Diffuser	PMMA opal diffuser

Control gear

Control gear included	Yes
Control gear	Electronic Control Gear
Power Factor	0,9
Flicker Free	Flicker Free

Light source

Light source included	
Light source	Led
Type of LED	Mid-Power
Nominal power (W)	16
Nominal luminous flux (Lm)	2200
Average life time (h)	25000

Colour temperature (K)	4000
Colour consistency (SDCM)	3
CRI	80

Photometry

Photometry

